

## DELTA RUF3

### CHECK VALVE

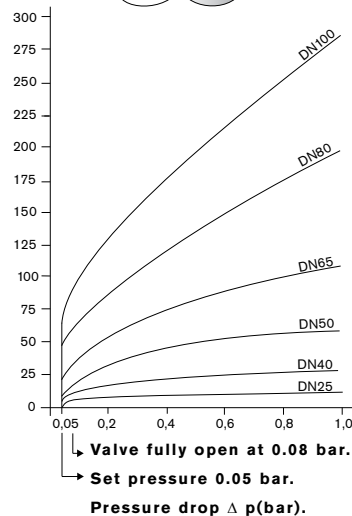
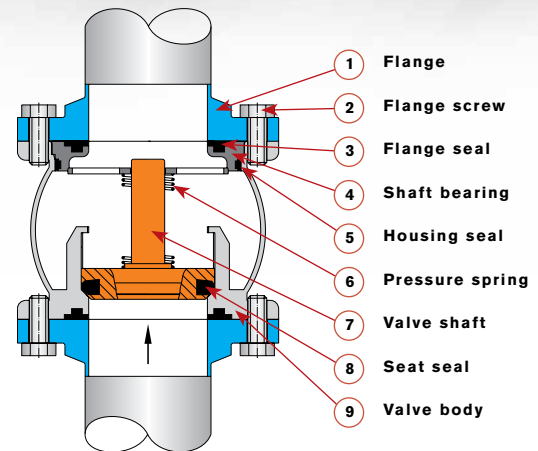
Thanks to the high operational safety and compact design, the APV RUF3 non-return valve is used in places where return flow of product in pipelines must be avoided. This task is reliably achieved by the APV RUF3 valve. The valve is found in breweries and dairies as well as within the chemical and pharmaceutical industries.

#### CHARACTERISTICS

When the pressure is balanced, the valve starts closing by spring force so that it is also closed when the pressure on the spring side rises.

#### FEATURES AND BENEFITS

- Minimum flow resistance/pressure drop
- Smooth flow due to ball-shaped valve body
- Minimum response pressure at 0.72 psi (0.05 bar)
- Full opening cross-section at 1.16 psi (0.08 bar)
- Designed for CIP cleaning
- Soft seat seal
- Operation in horizontal or vertical position
- Intermediate flange design
- Special profile seals (eliminate gaps)
- APV RUF3 is designed for direct welding into process pipelines



This diagram shows the flow characteristics depending on the pressure drop

#### TECHNICAL DATA

| SIZES                | SAY ISO 1" - 4" AND DN25 - DN100  |
|----------------------|---|
| PRODUCT WETTED PARTS | 316L, 1.4404 (DIN EN 100888)  |
| SEAL MATERIALS       | EPDM, HNBR, VMQ or FPM<br>All seal materials are FDA compliant.   |
| MAX. TEMPERATURE     | EPDM, HNBR: 275°F (135°C) - short-term: 284°F (140°C)<br>VMQ, FPM : 275°F (135°C) - not suited for hot water and steam<br>Option: FPM steam-resistant |
| MAX. LINE PRESSURE   | 145 psi (10 bar)  |

Based in Charlotte, North Carolina, SPX FLOW, Inc. (NYSE: FLOW) is a multi-industry manufacturing leader. For more information, please visit [www.spxflow.com](http://www.spxflow.com)